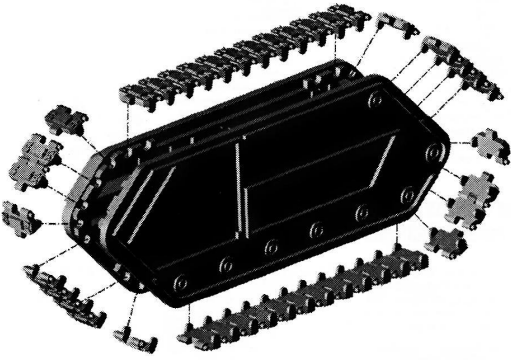
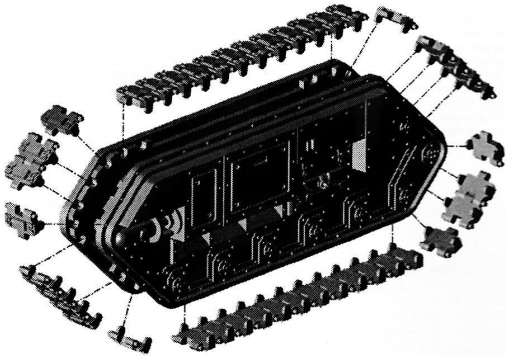
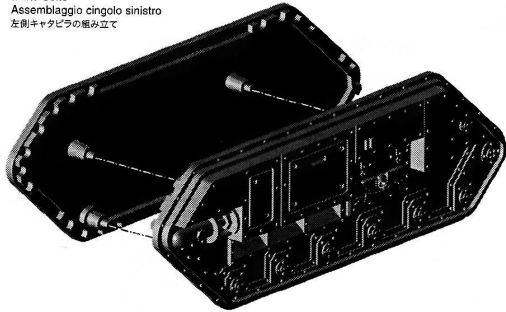


**1 TRACK ASSEMBLY • ASSEMBLAGE DES CHENILLES • MONTAJE DE LAS ORUGAS
ZUSAMMENBAU DER KETTEN • ASSEMBLAGGIO DEI CINGOLI • キャタピラの組み立て**

Right track assembly
Assemblage de la chenille droite
Montaje de la oruga derecha
Rechte Seite
Assemblaggio cingolo destro
右側キャタピラの組み立て

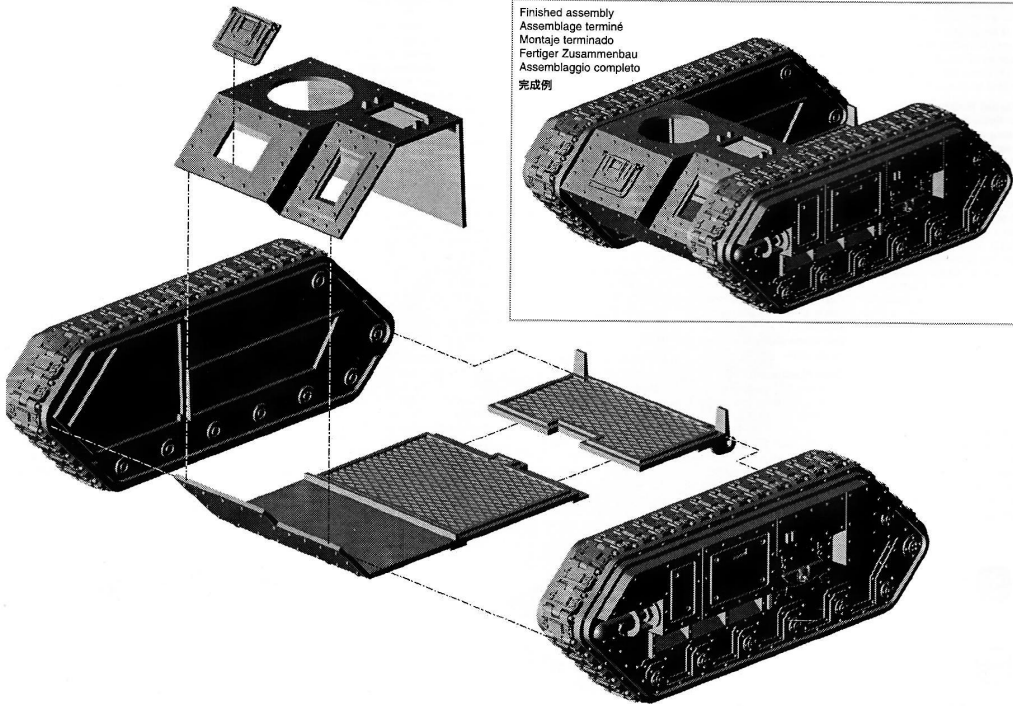


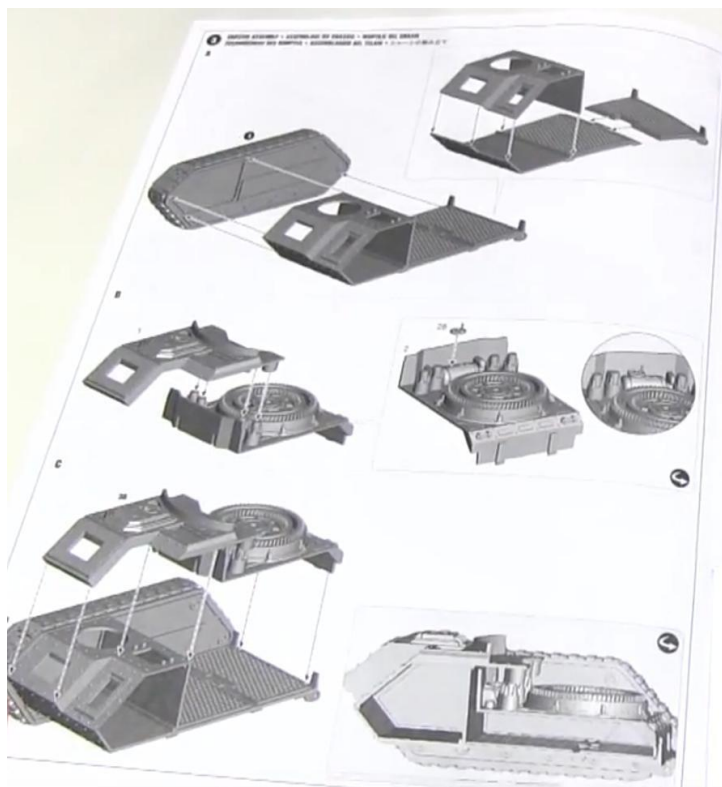
Left track assembly
Assemblage de la chenille gauche
Montaje de la oruga izquierda
Izquierda Seite
Assemblaggio cingolo sinistro
左側キャタピラの組み立て



**2 HULL ASSEMBLY • ASSEMBLAGE DE LA COQUE • MONTAJE DEL ARMAZÓN
ZUSAMMENBAU DES RUMPFS • ASSEMBLAGGIO DELLO SCAFO • 車体の組み立て**

Finished assembly
Assemblage terminé
Montaje terminado
Fertiger Zusammenbau
Assemblaggio completo
完成例





ASTRA MILITARUM WYVERN

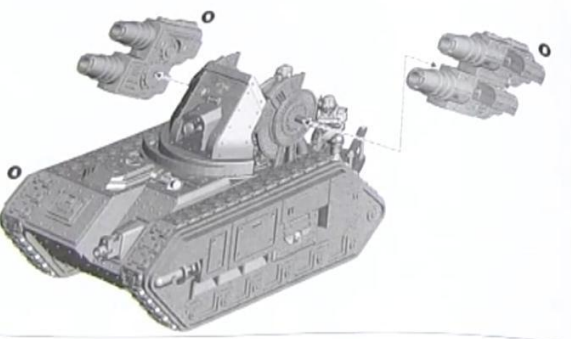
FINAL LAYER SYNCHRONIZATION MODULES (LEFT) + SYNCHRONIZATION MODULES (RIGHT) + ASSEMBLY OF SYNCHRONIZATION MODULES (LEFT) + ASSEMBLY OF SYNCHRONIZATION MODULES (RIGHT) + FINAL ASSEMBLY OF SYNCHRONIZATION MODULES (LEFT) + FINAL ASSEMBLY OF SYNCHRONIZATION MODULES (RIGHT)



FINAL ASSEMBLY OF SYNCHRONIZATION MODULES (LEFT) + FINAL ASSEMBLY OF SYNCHRONIZATION MODULES (RIGHT)



FINAL ASSEMBLY OF SYNCHRONIZATION MODULES (LEFT) + FINAL ASSEMBLY OF SYNCHRONIZATION MODULES (RIGHT)



ASTRA MILITARUM WYVERN

FINAL ASSEMBLY OF SYNCHRONIZATION MODULES (LEFT) + FINAL ASSEMBLY OF SYNCHRONIZATION MODULES (RIGHT)

