

KUSTOM BOOSTA-BLASTA



- **READ THIS FIRST** • **À LIRE EN PREMIER** • **LEER ANTES DE MONTAR**
- **LIES DIES ZUERST** • **LEGGI PRIMA QUESTO**

ENG BEFORE ASSEMBLING YOUR MINIATURES PLEASE READ THROUGH THE INSTRUCTIONS IN THIS BOOKLET CAREFULLY. A pair of plastic cutters is required to remove the plastic components in this kit from their frame. We advise using a mouldline scraping tool to clean up the parts. To assemble your model you will need plastic glue. Games Workshop sells Citadel Fine Detail Cutters, Citadel Mouldline Remover and Citadel Plastic Glue, but does not recommend these products for use by children under the age of 16 without adult supervision.

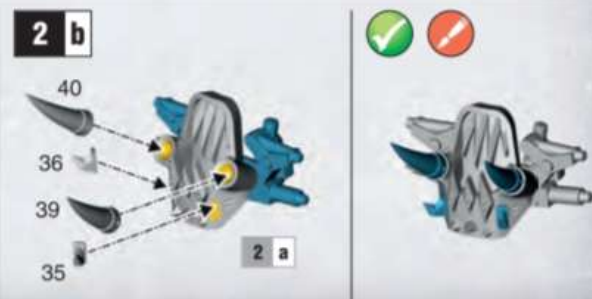
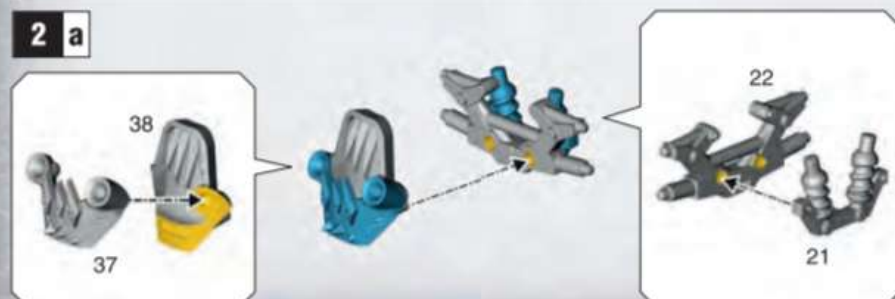
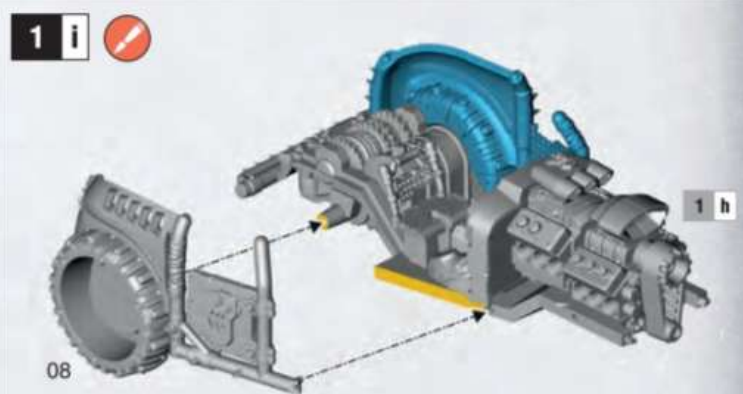
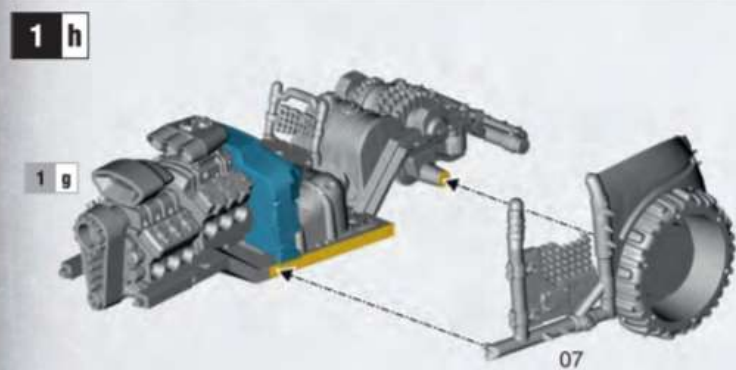
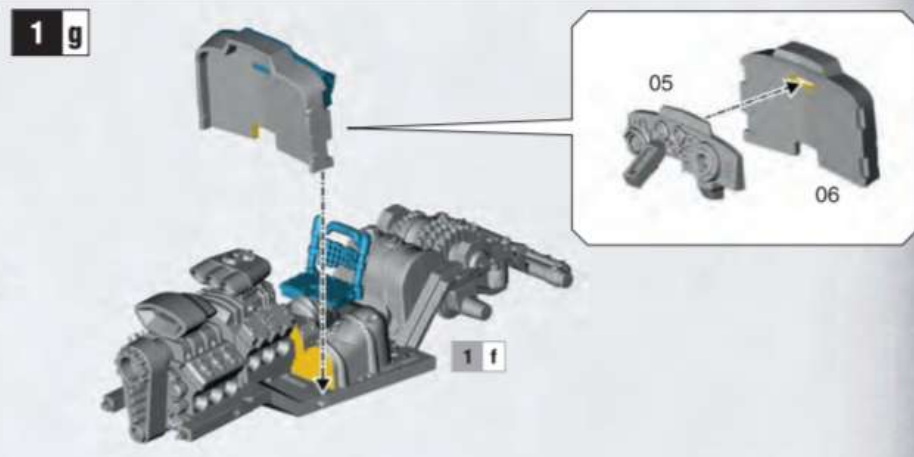
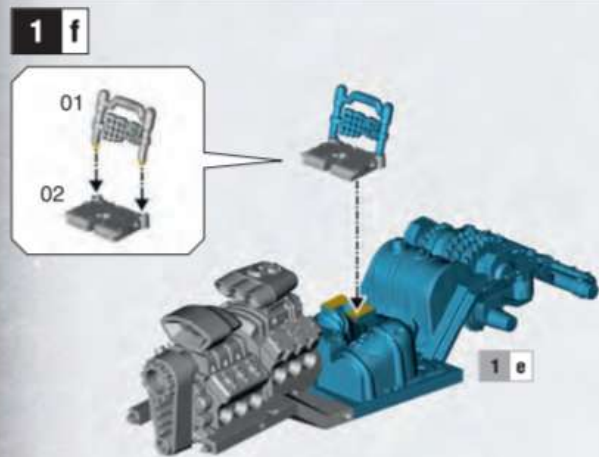
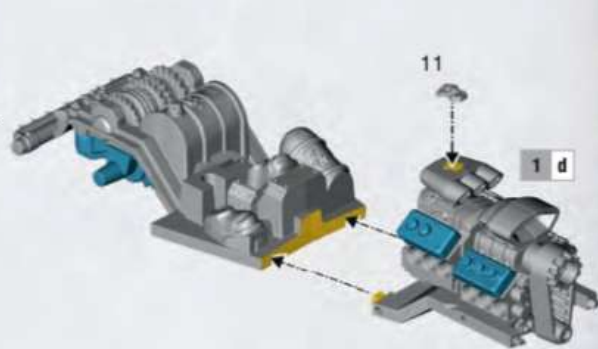
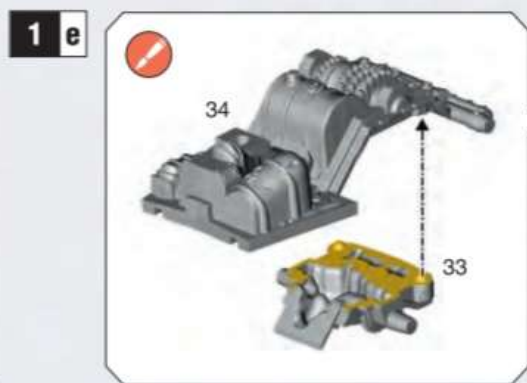
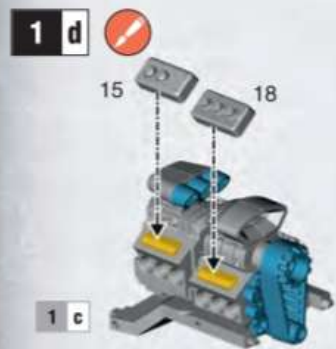
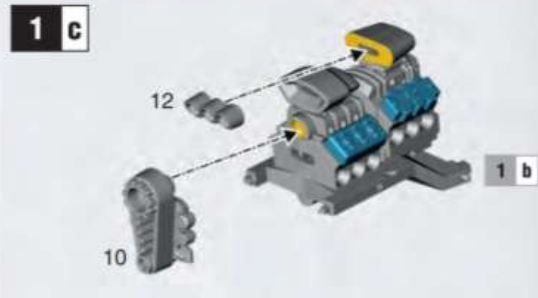
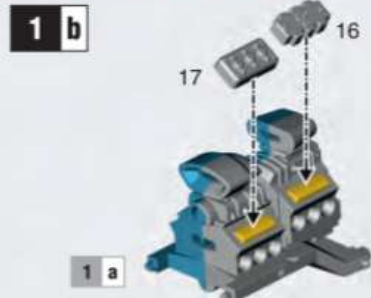
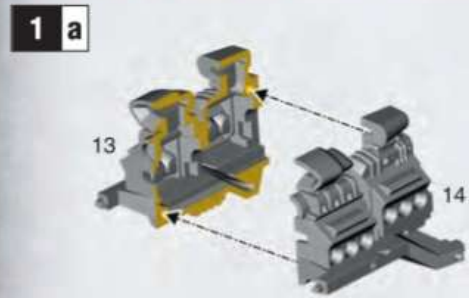
FRE AVANT D'ASSEMBLER VOS FIGURINES, VEUILLEZ LIRE ATTENTIVEMENT LES INSTRUCTIONS DE CE LIVRET. Une pince coupante est requise pour détacher chaque élément de sa grappe. Nous vous recommandons l'utilisation d'un grattoir pour ébarber les éléments. Pour l'assemblage, vous aurez également besoin de colle plastique. Games Workshop commercialise les Pincés de Précision Citadel, l'Ébarboir Citadel et la Colle Plastique Citadel, mais n'en recommande pas l'utilisation pour des enfants de moins de 16 ans sans la supervision d'un adulte.

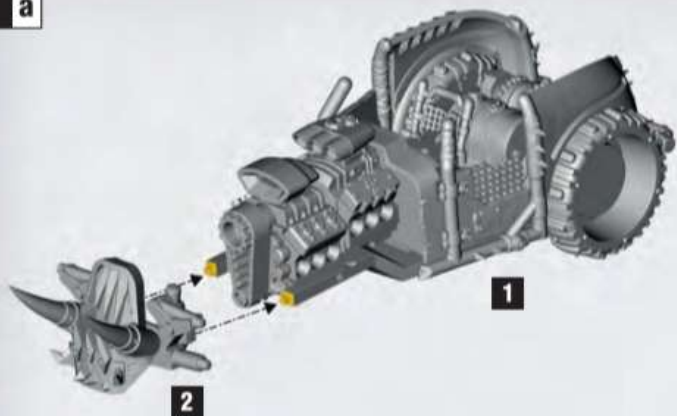
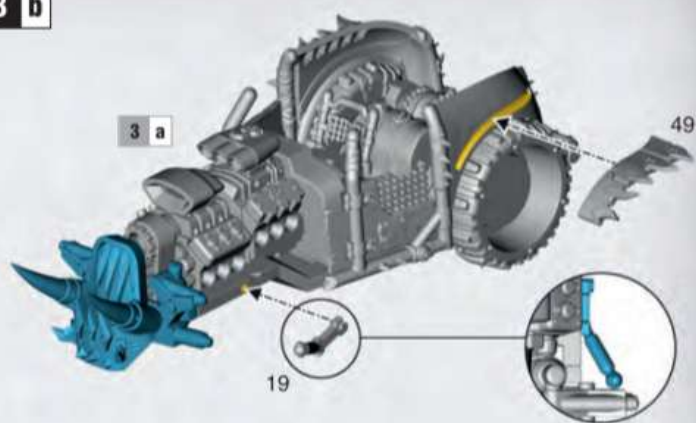
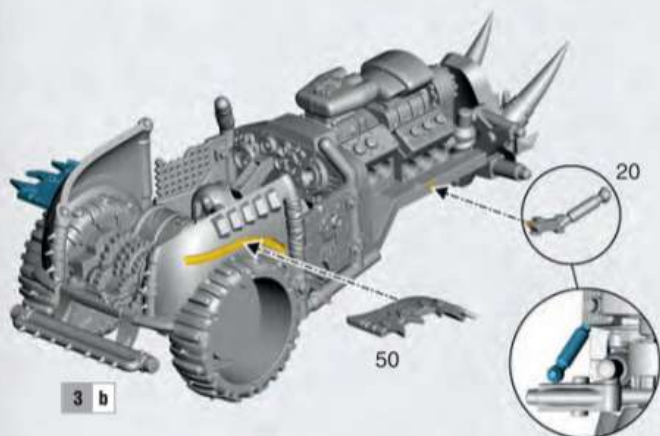
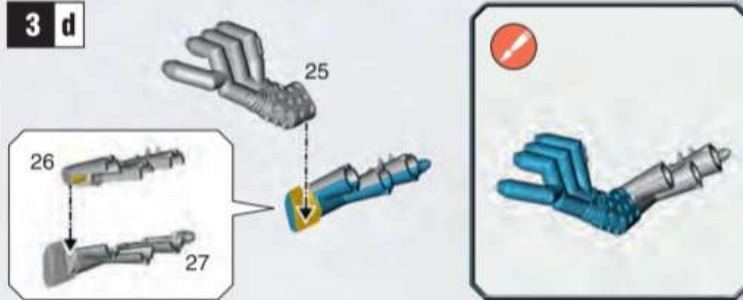
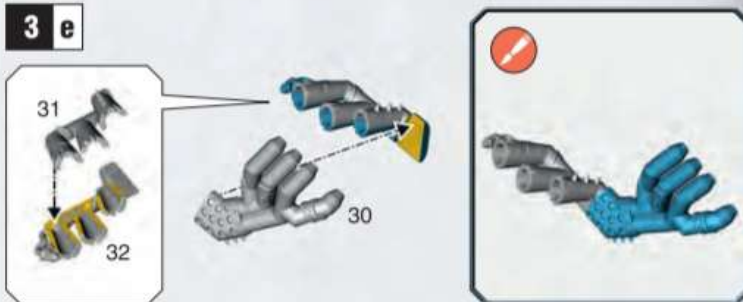
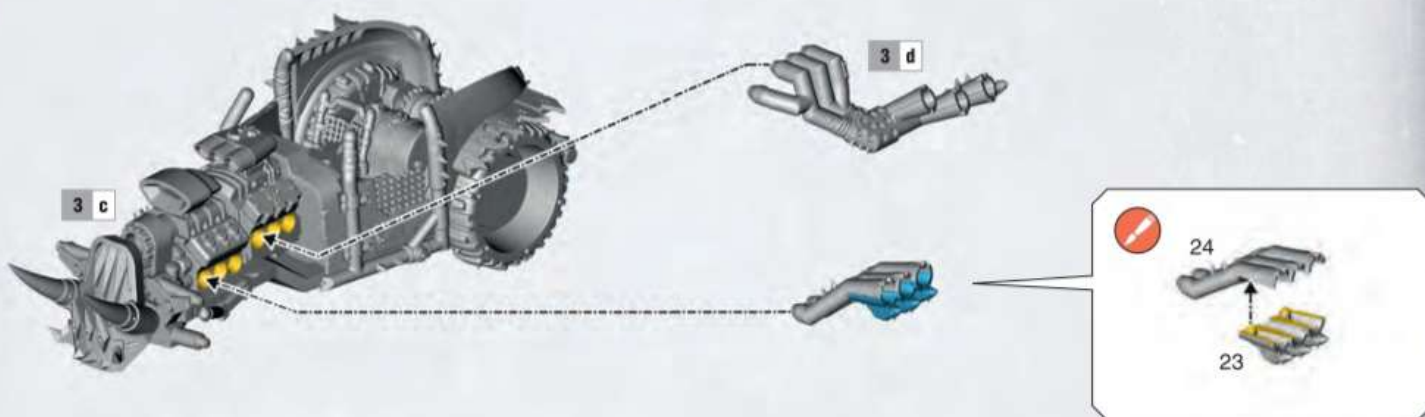
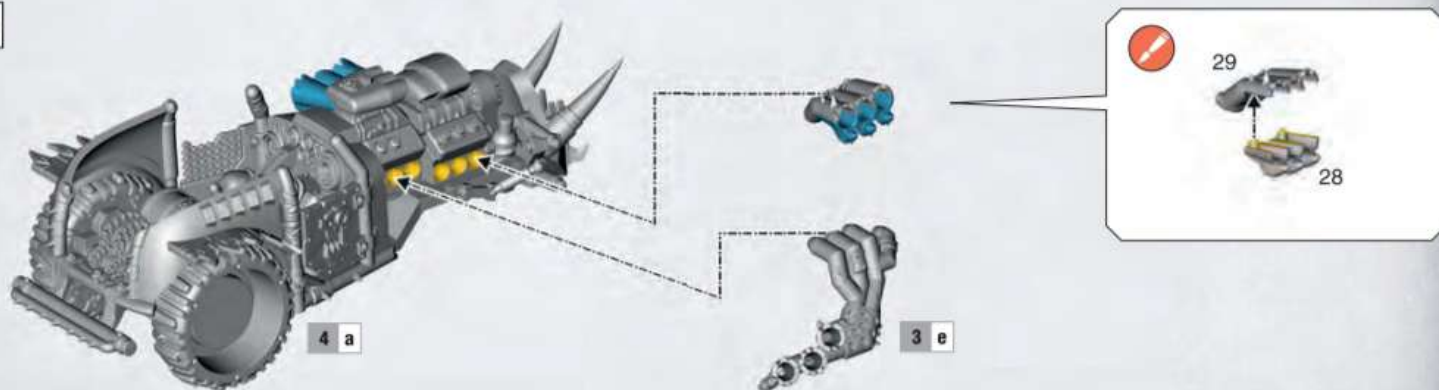
SPA POR FAVOR, LEE CUIDADOSAMENTE ESTE LIBRETO DE INSTRUCCIONES ANTES DE EMPEZAR A MONTAR LAS MINIATURAS. Te harán falta unas tenazas para plástico a fin de separar las piezas de la matriz. También aconsejamos una herramienta para rebabas a fin de limpiar cada pieza. Para montar la miniatura necesitarás pegamento para plástico. Games Workshop vende Tenazas Citadel, Herramientas para rebabas Citadel y Pegamento para plástico Citadel, pero no recomienda estos productos a menores de 16 años sin la supervisión de un adulto.

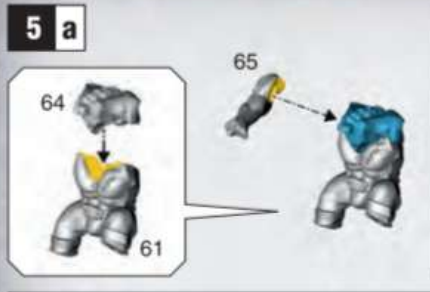
GER VOR DEM ZUSAMMENBAU DER MINIATUREN BITTE DIE ANWEISUNGEN IN DIESER ANLEITUNG AUFMERKSAM DURCHLESEN. Du benötigst einen Kunststoffseitenschneider, um die Kunststoffbauteile aus dem Gussrahmen herauszutrennen, und Kunststoffkleber, um die Miniatur zusammenzubauen. Außerdem empfehlen wir, die Bauteile vorher mit einem Gussgratentferner zu säubern. Games Workshop bietet Präzisions-Kunststoffseitenschneider von Citadel sowie Citadel-Kunststoffkleber an, empfiehlt aber, dass Kinder unter 16 Jahren diese nur unter Aufsicht eines Erwachsenen benutzen.

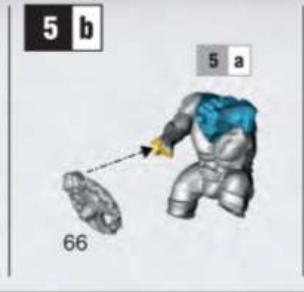
ITA PRIMA DI ASSEMBLARE LE TUE MINIATURE LEGGI ATTENTAMENTE TUTTE LE ISTRUZIONI DI QUESTO LIBRETTO. Sono necessarie un paio di tronchesine per plastica per staccare i componenti dai loro sprue. Consigliamo di usare un attrezzo apposito per pulire i componenti. Per assemblare il modello avrai bisogno di colla per plastica. Games Workshop vende Tronchesine di precisione Citadel, Attrezzo per ripulire Citadel e Colla per plastica Citadel, ma non consiglia questi prodotti ad un pubblico minore di 16 anni senza la supervisione di un adulto.

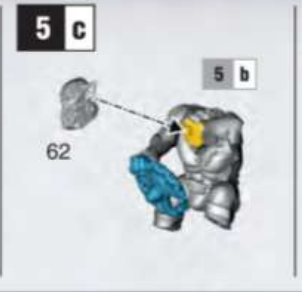
KUSTOM BOOSTA-BLASTA

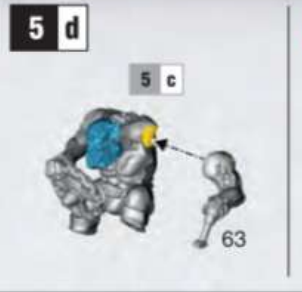




3 a**3 b****3 c****3 d****3 e****4 a****4 b**


5 a 

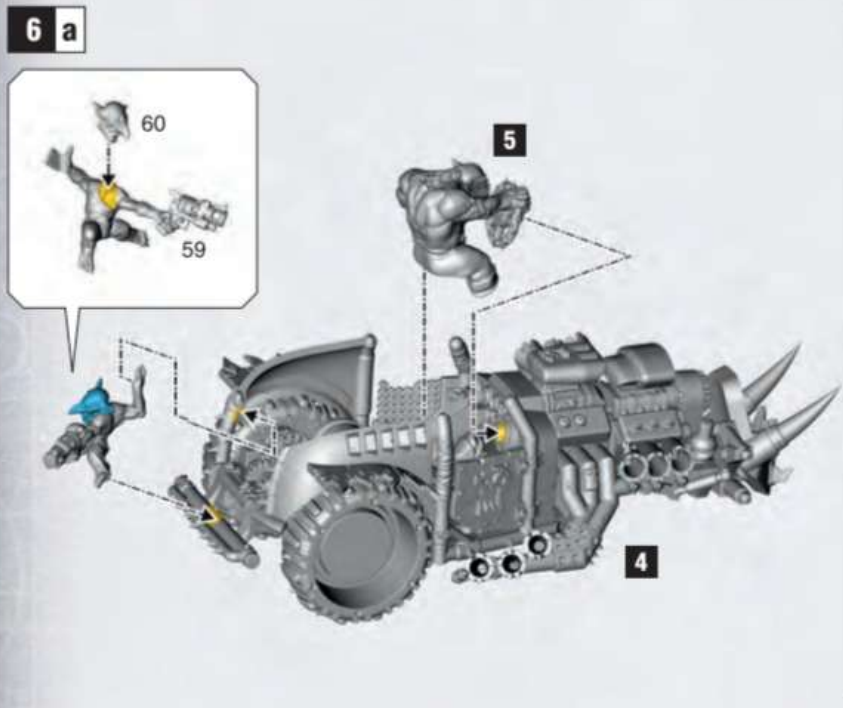
5 b 

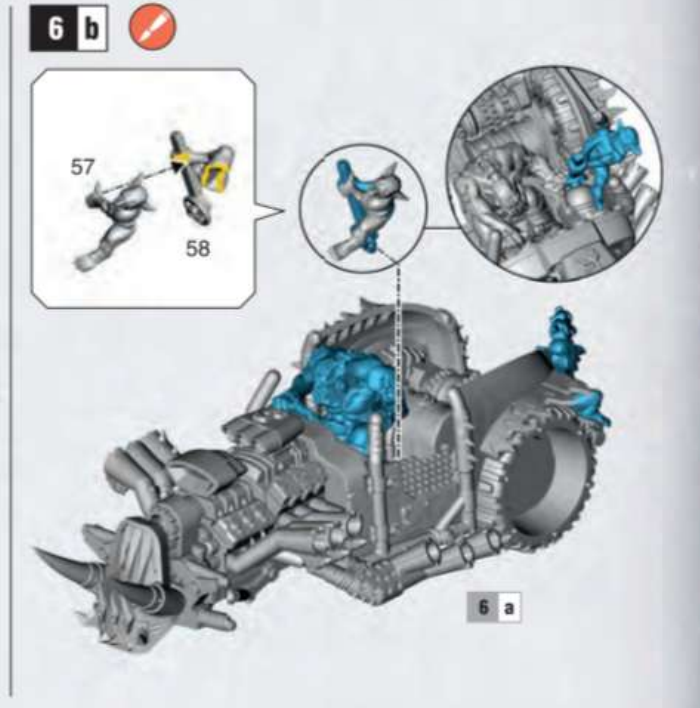
5 c 

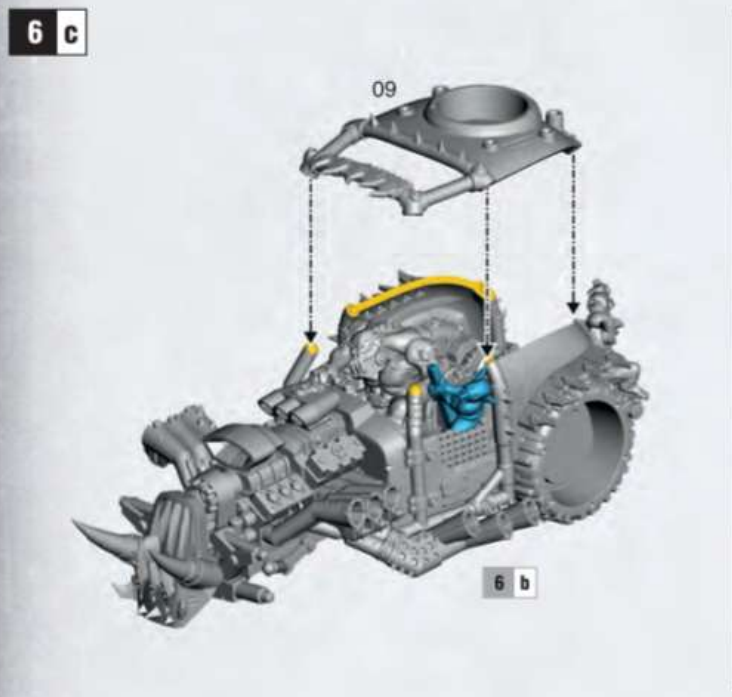
5 d 

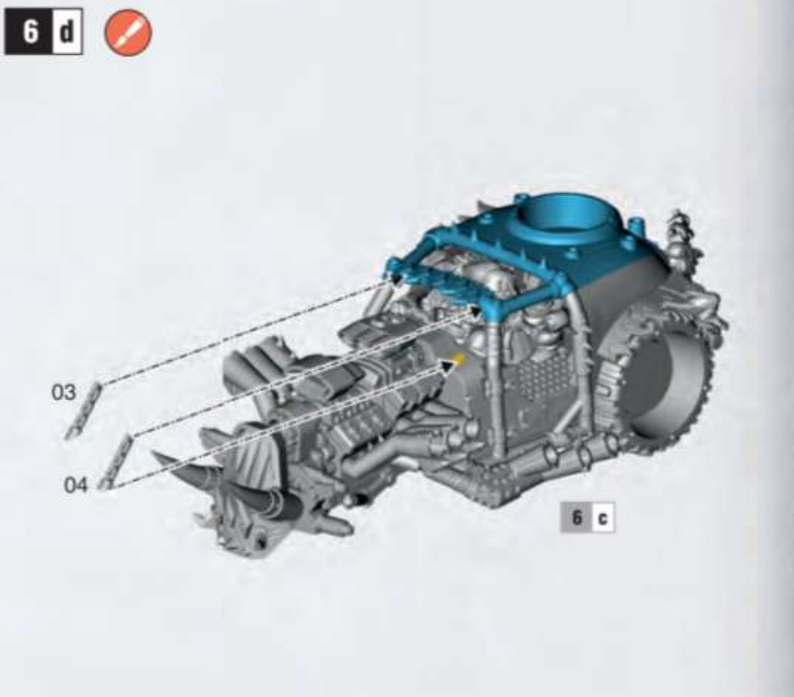
 

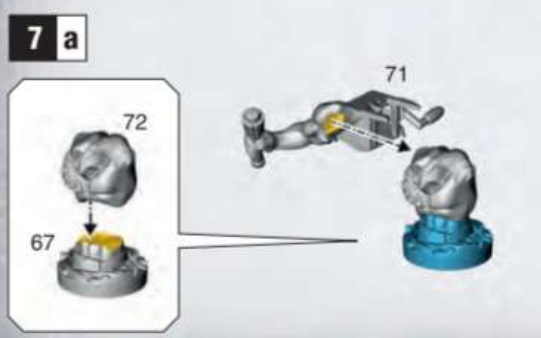


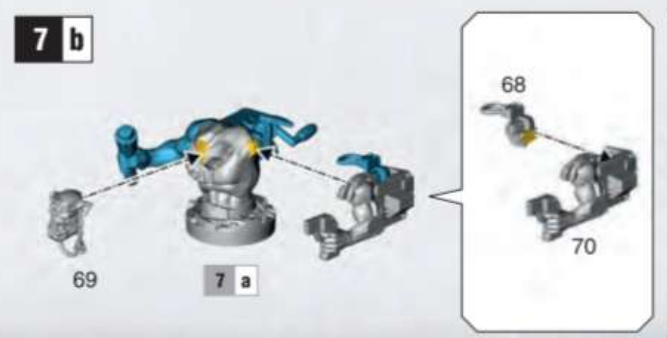
6 a 

6 b 

6 c 

6 d 

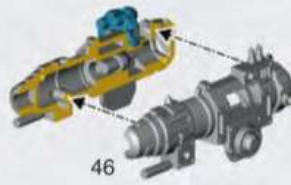
7 a 

7 b 



8 a



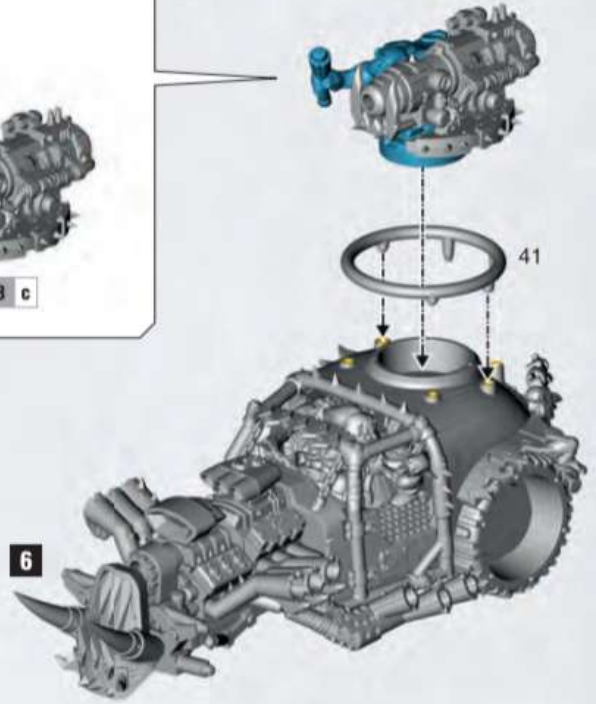
8 b



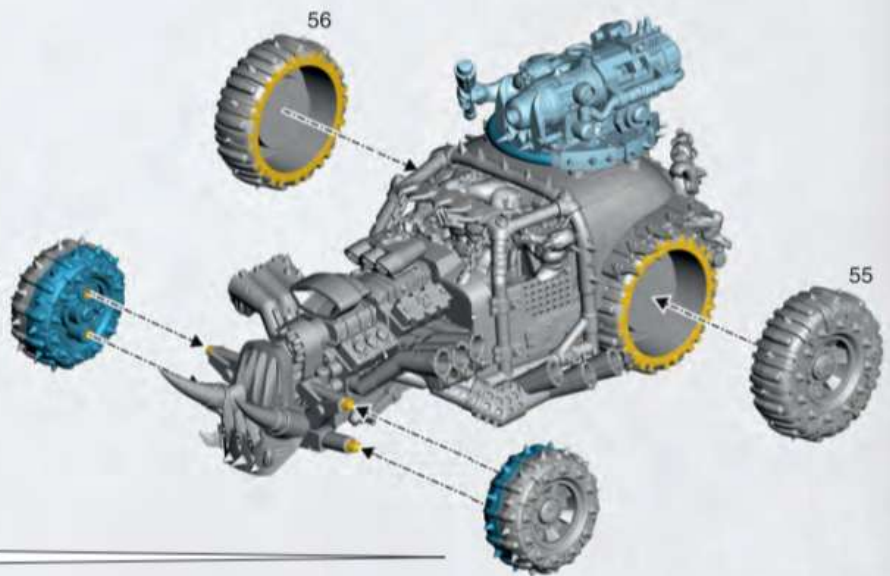
8 c

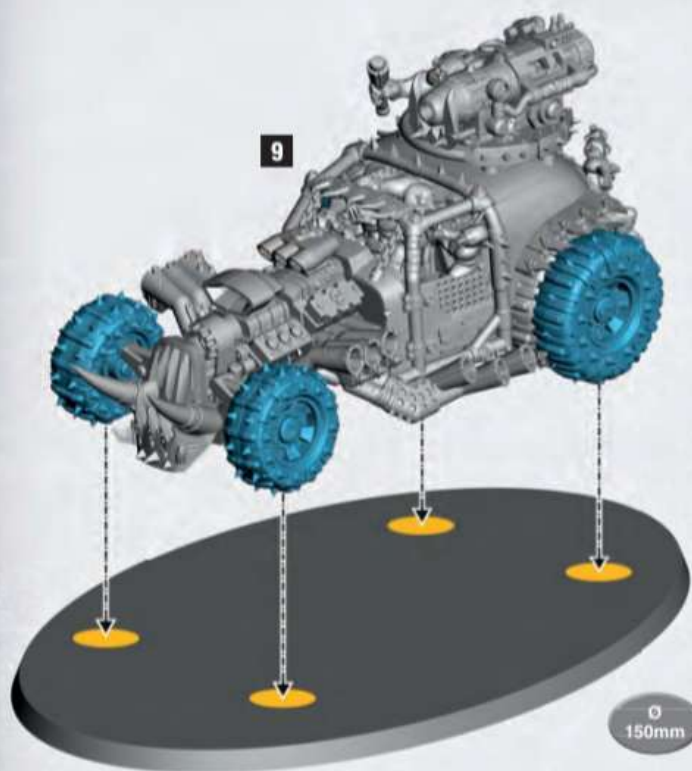


8 d



9





ENGLISH

These essential rules will get your new unit on the battlefield – for the full rules for this unit, see the codex relevant to your army.

KUSTOM BOOSTA-BLASTAS

5
POWER

NAME	M	WS	BS	S	T	W	A	Ld	Sv
Kustom Boosta-blasta	12"	4+	5+	5	6	8	4	6	4+

This unit contains 1 Kustom Boosta-blasta. It can include 1 additional Kustom Boosta-blasta (**Power Rating +5**) or 2 additional Kustom Boosta-blastas (**Power Rating +10**). Each model is equipped with a rivet kannon and four burna exhausts, and each model's crew is armed with stikkbombs and a grot blasta.

WEAPON	RANGE	TYPE	S	AP	D	ABILITIES
Burna exhaust	8"	Assault D3	4	0	1	This weapon automatically hits its target.
Grot blasta	12"	Pistol 1	4	0	1	-
Rivet kannon	36"	Assault 6	7	-2	2	-
Stikkbomb	6"	Grenade D6	3	0	1	-

- ABILITIES**
- 'Ere We Go, Mob Rule, Dakka! Dakka! Dakka!, Speed Mob
- Grot Gunner:** Add 1 to hit rolls for attacks made with this model's grot blasta.
- Riding Shotgun:** When this model shoots, it can throw a Grenade and shoot with its Pistol(s) in addition to any other weapons.
- Spiked Ram:** Each time this model finishes a charge move, select an enemy unit within 1" of it and roll a D6; on a 4+ that unit suffers D3 mortal wounds.
- Explodes:** If this model is reduced to 0 wounds, roll a D6. On a 6 it explodes, and each unit within 6" suffers D3 mortal wounds.

FACTION KEYWORDS ORK, <CLAN>

KEYWORDS VEHICLE, SPEED FREKKS, KUSTOM BOOSTA-BLASTAS